

**ORBEA**



## OCCAM AM M-LTD.

IN DIESEN FARBEN VORHANDEN:



GRÜN (SATIN)



ORANGE (GLÄNZEND)

## TECHNISCHE EIGENSCHAFTEN UND OPTIONEN

<b>RAHMEN</b>	Orbea Monocoque Race Carbon. Advanced Dynamics 140mm suspension with UFO technology. 27.5" wheels. Boost 12x148 rear axle. Trail III geometry. Internal cable routing. PF92 Press fit
<b>FEDERUNG</b>	Fox Float DPS Factory 3-Position Adjust LV EVOL Kashima custom tune 200x51mm Fox Float CTD 9mm Shaft, Air Spring Volume Tuning Kit
<b>GABEL</b>	Fox 34 Float Factory 140 FIT4 3-Pos-Adj QR15x110 Kashima
<b>KURBELGARNITUR</b>	SRAM XX1 Eagle Bosst 34t Gold
<b>STEUERSATZ</b>	FSA 1-1/8 - 1-1/2" Integrated
<b>LENKER</b>	Race Face Next SL 35mm Riser 760mm
<b>VORBAU</b>	Race Face Turbine 35mm interface
<b>HEBEL</b>	SRAM XX1 Eagle
<b>BREMSEN</b>	Avid Ultimate Carbon Hydraulic Disc Shimano XTR Trail M9020 Hydraulic Disc
<b>RITZEL</b>	SRAM X01 XG-1295 Eagle 10-50t 12-Speed
<b>SCHALTWERK</b>	SRAM XX1 Eagle Gold
<b>KETTE</b>	SRAM XX1 Eagle 12-Speed
<b>RÄDER</b>	DT Spline XMC-1200 TLR 15/110mm CL DT Swis RWS Alloy Thru Axle 12x148mm
<b>REIFEN</b>	Maxxis Ardent 2.25" TLR 60 Tpi Exo Dual
<b>PEDALE</b>	N/A
<b>SATTELSTÜTZE</b>	Race Face Turbine Dropper 31.6x375/125mm
<b>SATTEL</b>	Fizik Gobi M7
<b>KETTENFÜHRUNG</b>	OneUp Components ISCG05 Guide

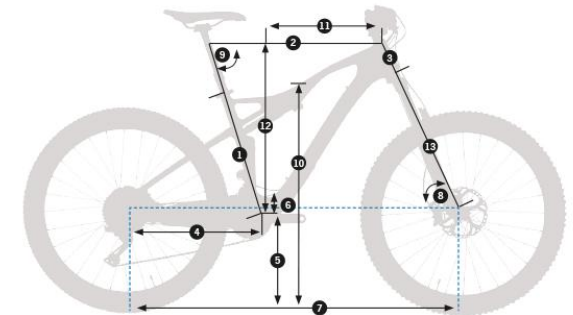
## GEOMETRIE

GRÖßE	27 - S	27 - M	27 - L
<b>1 - SEAT_TUBE</b>	393	432	470
<b>2 - TOP_TUBE</b>	563	590	612
<b>3 - HEAD_TUBE</b>	110	120	130
<b>4 - CHAIN_STAY</b>		425	
<b>5 - BB_HEIGHT</b>		340	
<b>6 - BB_DROP</b>		15	
<b>7 - WHEELBASE</b>	1121	1149	1173
<b>8 - HEAD_ANGLE</b>		67°	
<b>9 - SEAT_ANGLE</b>		75°	
<b>10 - STANDOVER</b>	713	741	768
<b>11 - REACH</b>	406	431	450
<b>12 - STACK</b>	585	595	604
<b>13 - FORK_LENGTH</b>		527,7	

## ERGONOMIE

GRÖßE	KURBELLÄNGE	VORBRAU	LENKER
<b>S</b>	170	50	760
<b>M</b>	175	50	760
<b>L</b>	175	70	760

\* Das Lenkermaß ist Mitte-Mitte



**ORBEA**



## OCCAM AM MIO.

IN DIESEN FARBEN VORHANDEN:



GRÜN (SATIN)



ORANGE (GLÄNZEND)

## TECHNISCHE EIGENSCHAFTEN UND OPTIONEN

<b>RAHMEN</b>	Orbea Monocoque Race Carbon. Advanced Dynamics 140mm suspension with UFO technology. 27.5" wheels. Boost 12x148 rear axle. Trail III geometry. Internal cable routing. PF92 Press fit
<b>FEDERUNG</b>	Fox Float DPS Factory 3-Position Adjust LV EVOL Kashima custom tune 200x51mm
	Fox Float CTD 9mm Shaft, Air Spring Volume Tuning Kit
<b>GABEL</b>	Fox 34 Float Factory 140 FIT4 3-Pos-Adj QR15x110 Kashima
<b>KURBELGARNITUR</b>	Shimano XT M8000-B1 32t
	Shimano XT M8000-B2 26x36t
<b>STEUERSATZ</b>	FSA 1-1/8 - 1-1/2" Integrated
<b>LENKER</b>	Race Face Next SL 35mm Riser 760mm
<b>VORBAU</b>	Race Face Aeffect 35mm interface
<b>HEBEL</b>	Shimano XT M8000 I-Spec
<b>BREMSEN</b>	Shimano XT M8000 Hydraulic Disc
	Shimano XTR Trail M9020 Hydraulic Disc
<b>RITZEL</b>	Shimano XT M8000 11-46t 11-Speed
<b>SCHALTWERK</b>	Shimano XT M8000 GS Shadow Plus Direct Mount
<b>KETTE</b>	Shimano HG701
<b>RÄDER</b>	DT Spline M-1700 TLR 15/110mm CL
	DT Swis RWS Alloy Thru Axle 12x148mm
	DT Spline XMC-1200 TLR CL
<b>REIFEN</b>	Maxxis Ardent 2.25" TLR 60 Tpi Exo Dual
<b>PEDALE</b>	N/A
<b>SATTELSTÜTZE</b>	Race Face Turbine Dropper 31.6x375/125mm
<b>SATTEL</b>	Fizik Gobi M7
<b>KETTENFÜHRUNG</b>	N/A
	D3 Innovation ONE-UP ISCG05 Chainguide

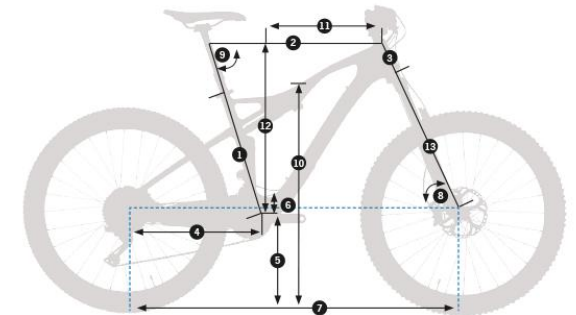
## GEOMETRIE

GRÖßE	27 - S	27 - M	27 - L
<b>1 - SEAT_TUBE</b>	393	432	470
<b>2 - TOP_TUBE</b>	563	590	612
<b>3 - HEAD_TUBE</b>	110	120	130
<b>4 - CHAIN_STAY</b>		425	
<b>5 - BB_HEIGHT</b>		340	
<b>6 - BB_DROP</b>		15	
<b>7 - WHEELBASE</b>	1121	1149	1173
<b>8 - HEAD_ANGLE</b>		67°	
<b>9 - SEAT_ANGLE</b>		75°	
<b>10 - STANDOVER</b>	713	741	768
<b>11 - REACH</b>	406	431	450
<b>12 - STACK</b>	585	595	604
<b>13 - FORK_LENGTH</b>		527,7	

## ERGONOMIE

GRÖßE	KURBELLÄNGE	VORBRAU	LENKER
<b>S</b>	170	50	760
<b>M</b>	175	50	760
<b>L</b>	175	70	760

\* Das Lenkermaß ist Mitte-Mitte



**ORBEA**



## OCCAM AM M30.

IN DIESEN FARBEN VORHANDEN:



GRÜN (SATIN)



ORANGE (GLÄNZEND)

## TECHNISCHE EIGENSCHAFTEN UND OPTIONEN

<b>RAHMEN</b>	Orbea Monocoque Race Carbon. Advanced Dynamics 140mm suspension with UFO technology. 27.5" wheels. Boost 12x148 rear axle. Trail III geometry. Internal cable routing. PF92 Press fit
<b>FEDERUNG</b>	Fox Float DPS Performance 3-Position custom tune 200x51mm
	Fox Float DPS Factory 3-Pos Adjust LV EVOL Kashima 200x51mm
	Fox Float CTD 9mm Shaft, Air Spring Volume Tuning Kit
<b>GABEL</b>	Fox 34 Float Performace 140 3-Position QR15x110
	Fox 34 Float Factory 140 FIT4 3-Pos-Adj QR15x110 Kashima
<b>KURBELGARNITUR</b>	Shimano SLX M7000-B2 26x36t
	Shimano SLX M7000-B1 32t
<b>STEUERSATZ</b>	FSA 1-1/8 - 1-1/2" Integrated
<b>LENKER</b>	Race Face Aeffect 35mm Riser 760mm
<b>VORBAU</b>	Race Face Aeffect 35mm interface
<b>HEBEL</b>	Shimano SLX M7000 I-Spec (B-type)
<b>BREMSEN</b>	Shimano M506 Hydraulic Disc
	Shimano XT M8000 Hydraulic Disc
<b>RITZEL</b>	Shimano SLX M7000 11-42t 11-Speed
<b>SCHALTWERK</b>	Shimano XT M8000 GS Shadow Plus Direct Mount
<b>UMWERFER</b>	Shimano SLX M7020 Direct mount
<b>KETTE</b>	Shimano HG601-11
<b>RÄDER</b>	DT Spline M-1900 TLR 15/110mm CL
	DT Swis RWS Alloy Thru Axle 12x148mm
	DT Spline M-1700 TLR CL
<b>REIFEN</b>	Maxxis Ardent 2.25" TLR 60 Tpi Exo Dual
<b>PEDALE</b>	N/A
<b>SATTELSTÜTZE</b>	Race Face Ride 31.6x375mm
	Race Face Turbine Dropper 31.6x375-440/125-150mm
<b>SATTEL</b>	Fizik Gobi M7

## GEOMETRIE

GRÖßE	27 - S	27 - M	27 - L
<b>1 - SEAT_TUBE</b>	393	432	470
<b>2 - TOP_TUBE</b>	563	590	612
<b>3 - HEAD_TUBE</b>	110	120	130
<b>4 - CHAIN_STAY</b>		425	
<b>5 - BB_HEIGHT</b>		340	
<b>6 - BB_DROP</b>		15	
<b>7 - WHEELBASE</b>	1121	1149	1173
<b>8 - HEAD_ANGLE</b>		67°	
<b>9 - SEAT_ANGLE</b>		75°	
<b>10 - STANDOVER</b>	713	741	768
<b>11 - REACH</b>	406	431	450
<b>12 - STACK</b>	585	595	604
<b>13 - FORK_LENGTH</b>		527,7	

## ERGONOMIE

GRÖßE	KURBELLÄNGE	VORBRAU	LENKER
<b>S</b>	170	50	760
<b>M</b>	175	50	760
<b>L</b>	175	70	760

\* Das Lenkermaß ist Mitte-Mitte

