

ORBEA



RALLON X-TEAM.

IN DIESEN FARBEN VORHANDEN:



FLUOR-SCHWARZ (SATIN)



GRÜN-SCHWARZ (SATIN)

TECHNISCHE EIGENSCHAFTEN UND OPTIONEN

RAHMEN	Orbea Hydroformed triple butted alloy. Advanced Dynamics 160mm travel suspension. C-Boost 12x148 rear axle. Hollow linear ratio rocker arm. Pure Enduro geometry II. Downtube cable highway routing
FEDERUNG	Fox Float X2 DPS Factory 2-Position Adjust LV EVOL Kashima custom tune 215x63mm
GABEL	Fox 36 Float Factory 160 FIT HSC LSC QR15x110 Kashima
KURBELGARNITUR	TRUVATIV Descendant Carbon Eagle Bosst 34t
STEUERSATZ	Orbit ZS 1"-1/2 Semi-Integrated
LENKER	Race Face Sixc 35mm Riser 800mm
VORBAU	Race Face Atlas 35mm interface
HEBEL	SRAM X01 Eagle
BREMSEN	Shimano XT M8000 Hydraulic Disc
RITZEL	SRAM X01 XG-1295 Eagle 10-50t 12-Speed
SCHALTWERK	SRAM X01 Eagle Gold
KETTE	SRAM X01 Eagle 12-Speed
RÄDER	DT Spline E-1700 TLR 15/110mm CL DT Spline XMC-1200 TLR CL
REIFEN	Maxxis High Roller II 2.40" 60 TPI 3C Exo
PEDALE	N/A
SATTELSTÜTZE	Race Face Turbine Dropper 31.6x375/125mm
SATTEL	Fizik Gobi M7
KETTENFÜHRUNG	OneUp Components ISCG05 Guide

GEOMETRIE

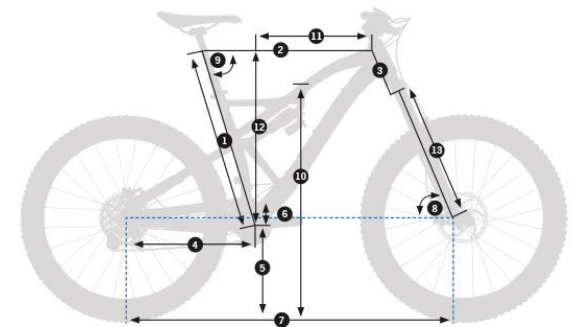
GRÖßE	S	M	L
1 - SEAT_TUBE	420	455	495
2 - TOP_TUBE	587	611	640
3 - HEAD_TUBE	120	130	145
4 - CHAIN_STAY		420	
5 - BB_HEIGHT*		345/338	
6 - BB_DROP*		7/14 (geometry change)	
7 - WHEELBASE	1159	1184	1215
8 - HEAD_ANGLE*		66°/65,5°(geometry change)	
9 - SEAT_ANGLE*		75°/74,5°(geometry change)	
10 - STANDOVER	750	770	790
11 - REACH	425	447	472
12 - STACK	603	612	626
13 - FORK_LENGTH		552	
14 - OFFSET		44	

*

ERGONOMIE

GRÖßE	KURBELLÄNGE	VORBAU	LENKER
S	170	35	800
M	170	50	800
L	170	65	800

* Das Lenkermaß ist Mitte-Mitte



ORBEA



RALLON X10.

IN DIESEN FARBEN VORHANDEN:



FLUOR-SCHWARZ (SATIN)



GRÜN-SCHWARZ (SATIN)

TECHNISCHE EIGENSCHAFTEN UND OPTIONEN

RAHMEN	Orbea Hydroformed triple butted alloy. Advanced Dynamics 160mm travel suspension. C-Boost 12x148 rear axle. Hollow linear ratio rocker arm. Pure Enduro geometry II. Downtube cable highway routing
FEDERUNG	Fox Float X DPS Factory 3-Position Adjust LV EVOL Kashima custom tune 215x63mm
	Fox Float X2 DPS Factory 2-Pos Adj LV EVOL Kashima 215x63mm
GABEL	Fox 34 Float Factory 160 FIT4 3-Pos-Adj QR15x110 Kashima
	Fox 36 Float Factory 160 FIT HSC LSC QR15x110 Kashima
KURBELGARNITUR	Shimano XT M8000-B1 32t
	Shimano XT M8000-B2 26x36t
STEUERSATZ	Orbit ZS 1"-1/2 Semi-Integrated
LENKER	Race Face Aeffect 35mm Riser 760mm
	Race Face Sixc 35 Riser 800mm+Atlas 35 Kit (Bar+Stem)
VORBAU	Race Face Aeffect 35mm interface
HEBEL	Shimano XT M8000 I-Spec
BREMSEN	Shimano XT M8000 Hydraulic Disc
RITZEL	Shimano XT M8000 11-46t 11-Speed
SCHALTWERK	Shimano XT M8000 GS Shadow Plus
KETTE	Shimano HG701
RÄDER	DT Spline M-1900 TLR 15/110mm CL
	DT Spline E-1700 TLR CL
REIFEN	Maxxis High Roller II 2.40" 60 TPI 3C Exo
PEDALE	N/A
SATTELSTÜTZE	Race Face Turbine Dropper 31.6x375/125mm
SATTEL	Fizik Gobi M7
KETTENFÜHRUNG	OneUp Components ISCG05 Guide

GEOMETRIE

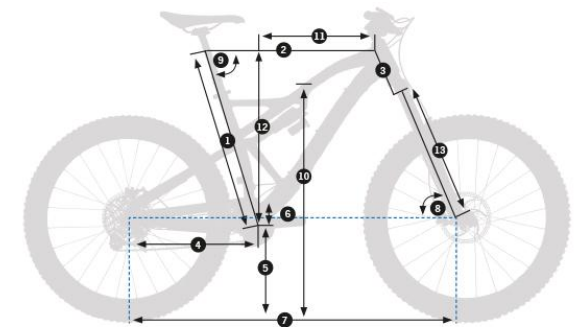
GRÖßE	S	M	L
1 - SEAT_TUBE	420	455	495
2 - TOP_TUBE	587	611	640
3 - HEAD_TUBE	120	130	145
4 - CHAIN_STAY		420	
5 - BB_HEIGHT*		345/338	
6 - BB_DROP*		7/14 (geometry change)	
7 - WHEELBASE	1159	1184	1215
8 - HEAD_ANGLE*		66°/65,5°(geometry change)	
9 - SEAT_ANGLE*		75°/74,5°(geometry change)	
10 - STANDOVER	750	770	790
11 - REACH	425	447	472
12 - STACK	603	612	626
13 - FORK_LENGTH		552	
14 - OFFSET		44	

*

ERGONOMIE

GRÖßE	KURBELLÄNGE	VORBRAU	LENKER
S	170	50	760
M	170	60	760
L	170	70	760

* Das Lenkermaß ist Mitte-Mitte



ORBEA



RALLON X30.

IN DIESEN FARBEN VORHANDEN:



FLUOR-SCHWARZ (SATIN)



GRÜN-SCHWARZ (SATIN)

TECHNISCHE EIGENSCHAFTEN UND OPTIONEN

RAHMEN	Orbea Hydroformed triple butted alloy. Advanced Dynamics 160mm travel suspension. C-Boost 12x148 rear axle. Hollow linear ratio rocker arm. Pure Enduro geometry II. Downtube cable highway routing
FEDERUNG	Fox Float DPS Performance 3-Position custom tune 215x63mm
	Fox Float X DPS Factory 3-Pos Adj LV EVOL Kashima 215x63mm
GABEL	Fox 34 Float Performance 160 3-Position QR15x110
	Fox 34 Float Factory 160 FIT4 3-Pos-Adj QR15x110 Kashima
	Fox 36 Float Factory 160 FIT HSC LSC QR15x110 Kashima
KURBELGARNITUR	Shimano SLX M7000-B1 32t
	Shimano SLX M7000-B2 26x36t
STEUERSATZ	Orbit ZS 1"-1/2 Semi-Integrated
LENKER	Orbea OC-II Riser 760mm
	Race Face Aeffect 35 Riser 760mm Kit (Bar+Stem)
VORBAU	Race Face Ride
HEBEL	Shimano SLX M7000 I-Spec (B-type)
BREMSEN	Shimano M506 Hydraulic Disc
	Shimano XT M8000 Hydraulic Disc
RITZEL	Sun Race 11-46t 11-Speed
SCHALTWERK	Shimano SLX M7000 GS Shadow Plus
KETTE	Shimano HG601-11
RÄDER	Mach1 Klixx 23c Tubeless Ready
	DT Spline M-1900 TLR CL+Maxxis TLR Tires
REIFEN	Maxxis High Roller II 2.40" FB 60 TPI Exo
PEDALE	N/A
SATTELSTÜTZE	Orbea Digit 31.6x400mm
	Race Face Turbine Dropper 31.6x375-440/125-150mm
SATTEL	Selle Royal J-2062 Trail Custom
	Fizik Gobi M7
KETTENFÜHRUNG	N/A
	D3 Innovation ONE-UP ISCG05 Chainguide

GEOMETRIE

GRÖßE	S	M	L
1 - SEAT_TUBE	420	455	495
2 - TOP_TUBE	587	611	640
3 - HEAD_TUBE	120	130	145
4 - CHAIN_STAY		420	
5 - BB_HEIGHT*		345/338	
6 - BB_DROP*		7/14 (geometry change)	
7 - WHEELBASE	1159	1184	1215
8 - HEAD_ANGLE*		66°/65,5°(geometry change)	
9 - SEAT_ANGLE*		75°/74,5°(geometry change)	
10 - STANDOVER	750	770	790
11 - REACH	425	447	472
12 - STACK	603	612	626
13 - FORK_LENGTH		552	
14 - OFFSET		44	

*

ERGONOMIE

GRÖßE	KURBELLÄNGE	VORBRAU	LENKER
S	170	60	760
M	170	60	760
L	170	70	760

* Das Lenkermaß ist Mitte-Mitte

